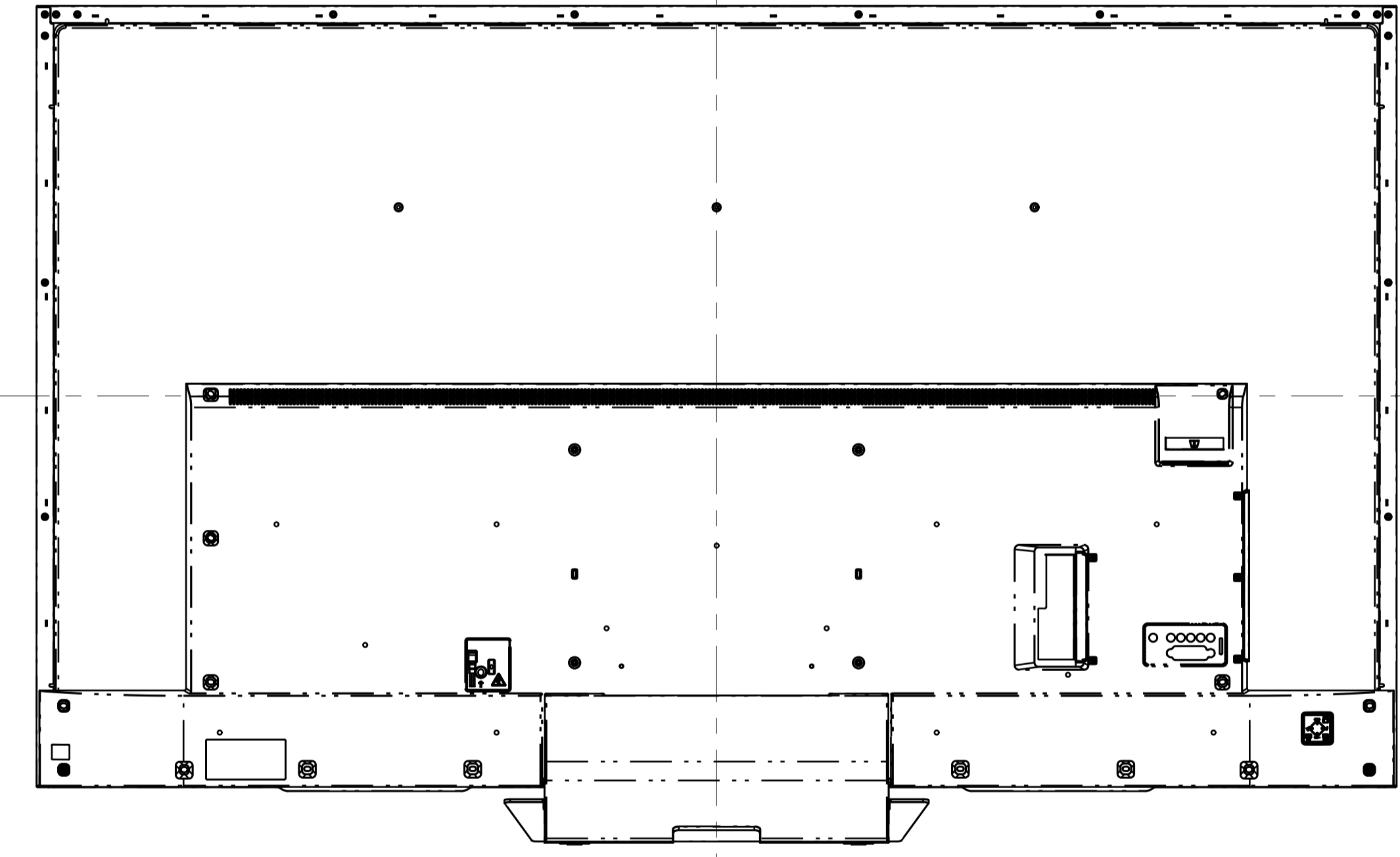
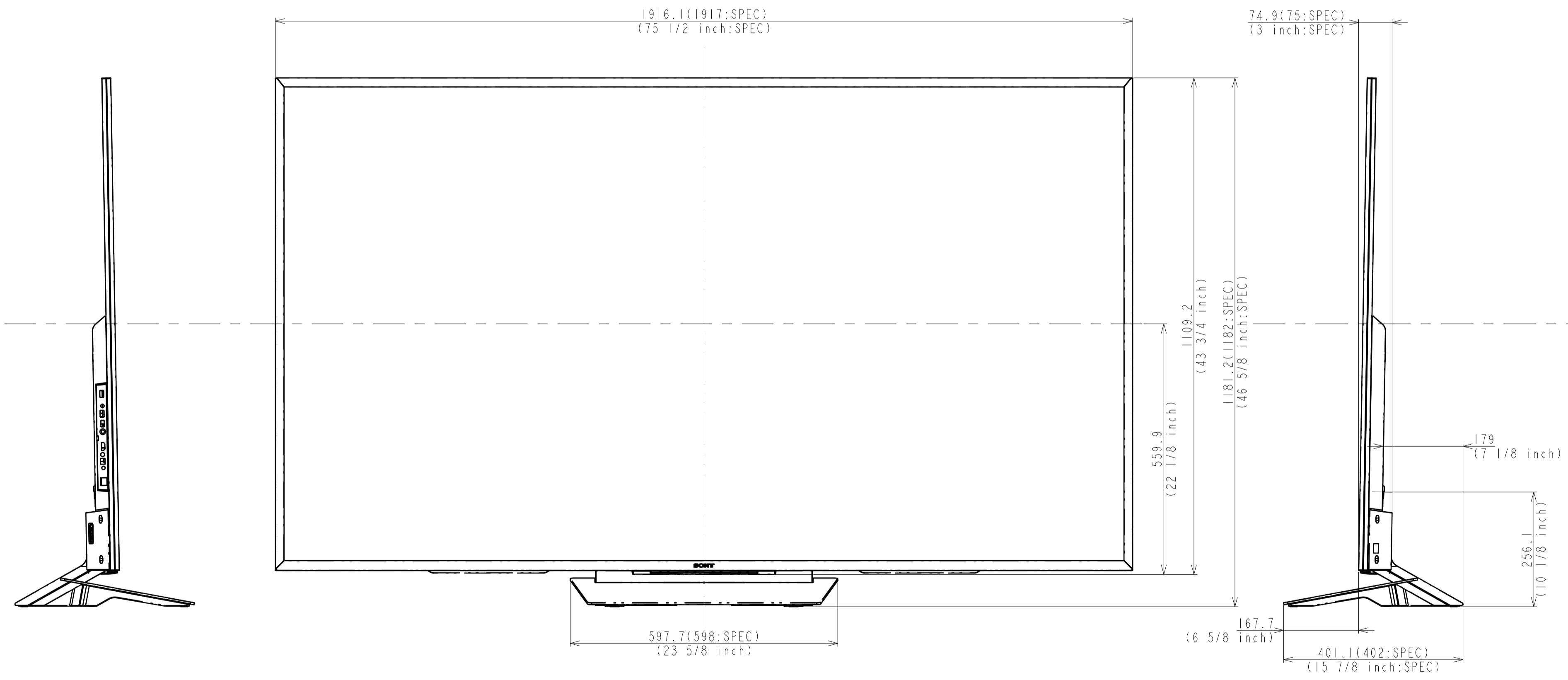
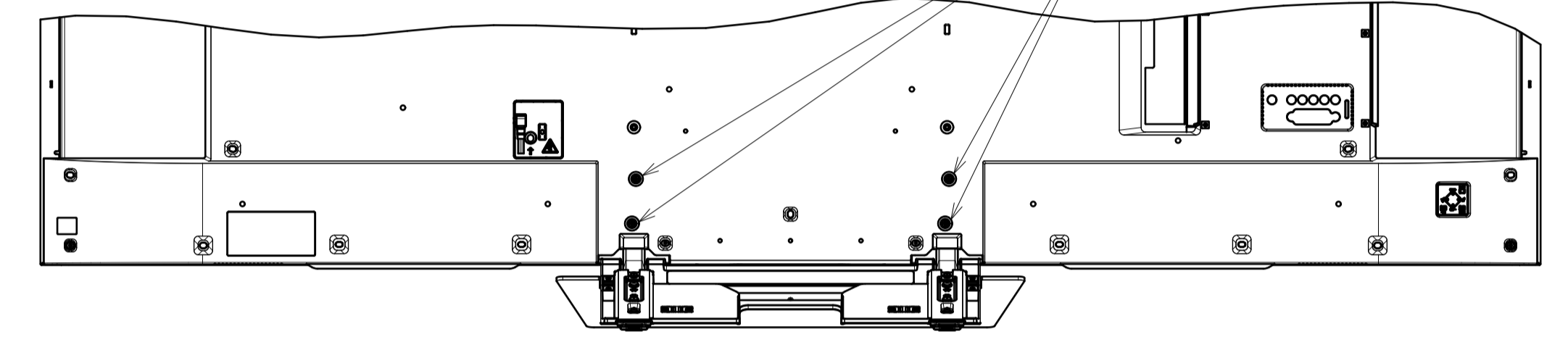


Area	NORTH AMERICA	LATIN AMERICA	EUROPE	GENERAL AREA	CHINA
Model Name	XBR-85X850D	XBR-85X855D	KD-85XD8505	KD-85X8500D	KD-85X8500D
SV No.	SV-30376	SV-30381	SV-30388	SV-30386	SV-30387
DIMENSION					
TV only (WxHxD)	1917x1109x73(20.0) mm / 75 1/2 x 43 3/4 x 2 7/8 (13/16) inch	1917x1109x73(20.0) mm	Approx. 191.7x110.9x7.3(2.00) cm	Approx. 1917x1109x73(20.0) mm	Approx. 1917x1109x73(20.0) mm
TV with Stand (WxHxD)	1917x1182x402 mm / 75 1/2 x 46 5/8 x 15 7/8 inch	1917x1182x402 mm	Approx. 191.7x118.2x40.2 cm	Approx. 1917x1182x402 mm	Approx. 1917x1182x402 mm
Media Receiver (WxHxD)	-	-	-	-	-
Monitor only (WxHxD)	-	-	-	-	-
Monitor with Stand (WxHxD)	-	-	-	-	-
Media Receiver with Stand (WxHxD)	-	-	-	-	-
Satellite Speaker (WxHxD)	-	-	-	-	-
Stand Width	598 mm / 23 5/8 inch	598 mm	Approx. 59.8 cm	Approx. 598 mm	Approx. 598 mm
VESA Hole Pitch	400x300 mm / 15 3/4 x 11 7/8 inch	400x300 mm	40.0x30.0 cm	400x300 mm	400x300 mm
WEIGHT					
TV Only	60.2 Kg / 132.6 lb	60.2 Kg	Approx. 60.2 Kg	Approx. 60.2 Kg	Approx. 60.2 Kg
TV With Stand	65.6 Kg / 144.5 lb	65.6 Kg	Approx. 65.6 Kg	Approx. 65.6 Kg	Approx. 65.6 Kg
Media Receiver	-	-	-	-	-
Monitor Only	-	-	-	-	-
Monitor With Stand	-	-	-	-	-
Media Receiver with Stand	-	-	-	-	-
Satellite Speaker	-	-	-	-	-
Remarks					

TV WITH STAND

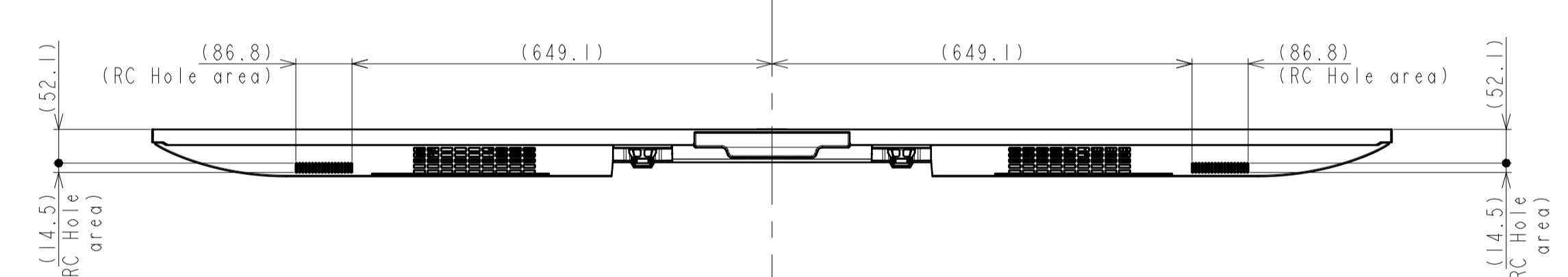
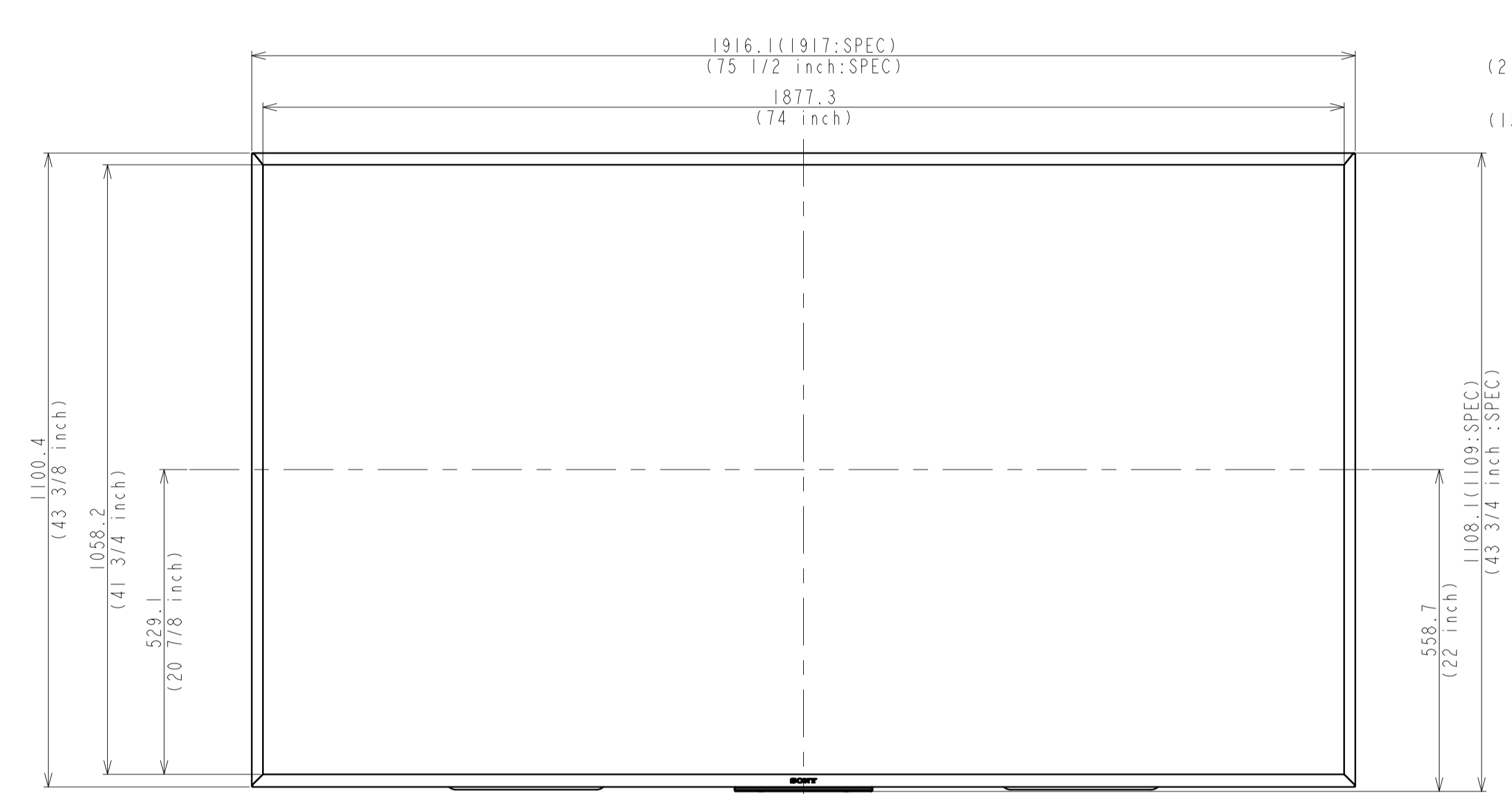
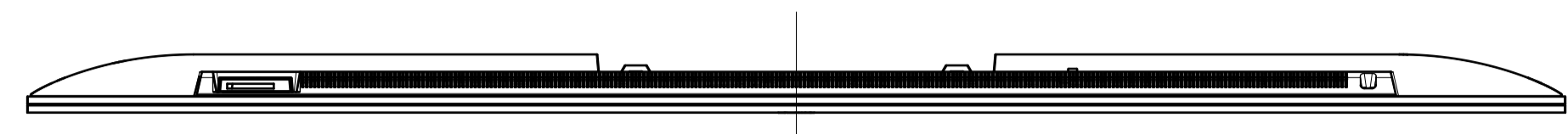
BEFORE STAND COVER INSTALLATION

SCREW HOLES FOR STAND

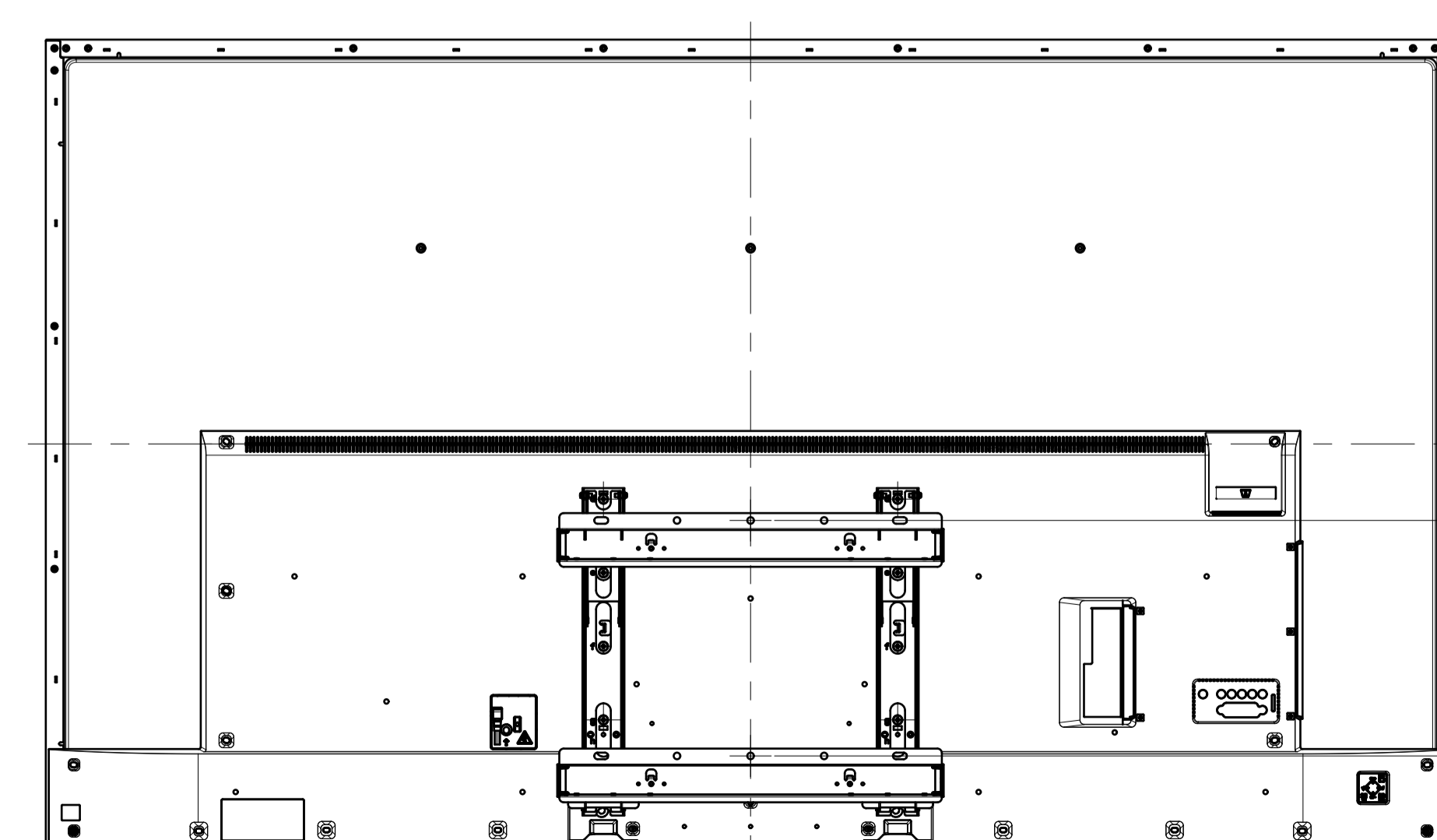


HISTORY V. COUNT SUFFIX / REPR. RELEASE NO. / DATE REVISION SIGN.		GENERAL TOLERANCE DATE OF ISSUE 2015.12.07 DOCUMENT TYPE DRAWING TOLERANCING ISO 8015
LEGAL OWNER SONY VISUAL PRODUCTS INC.		MATERIAL COLOR FINISH COLOR
RESPONSIBLE DEPARTMENT PANEL & MECHANICAL DESIGN DEPT.	SIZE UNIT A4 mm	ORIGINAL MODEL DESCRIPTION FOR REF (85X8500D) EXTEIOR VIEW
PLANNED BY 2015.12.07 K. MASAMORI	CHECKED BY APPROVED BY SCALE 1:1	TENTATIVE MODEL (85X8500D) EXTEIOR VIEW
DRAWN BY 2015.12.07 K. MASAMORI	FEEL METHOD	TENTATIVE PART NO. PART NO. SHEET/PAGES 1 / 2

TV ONLY

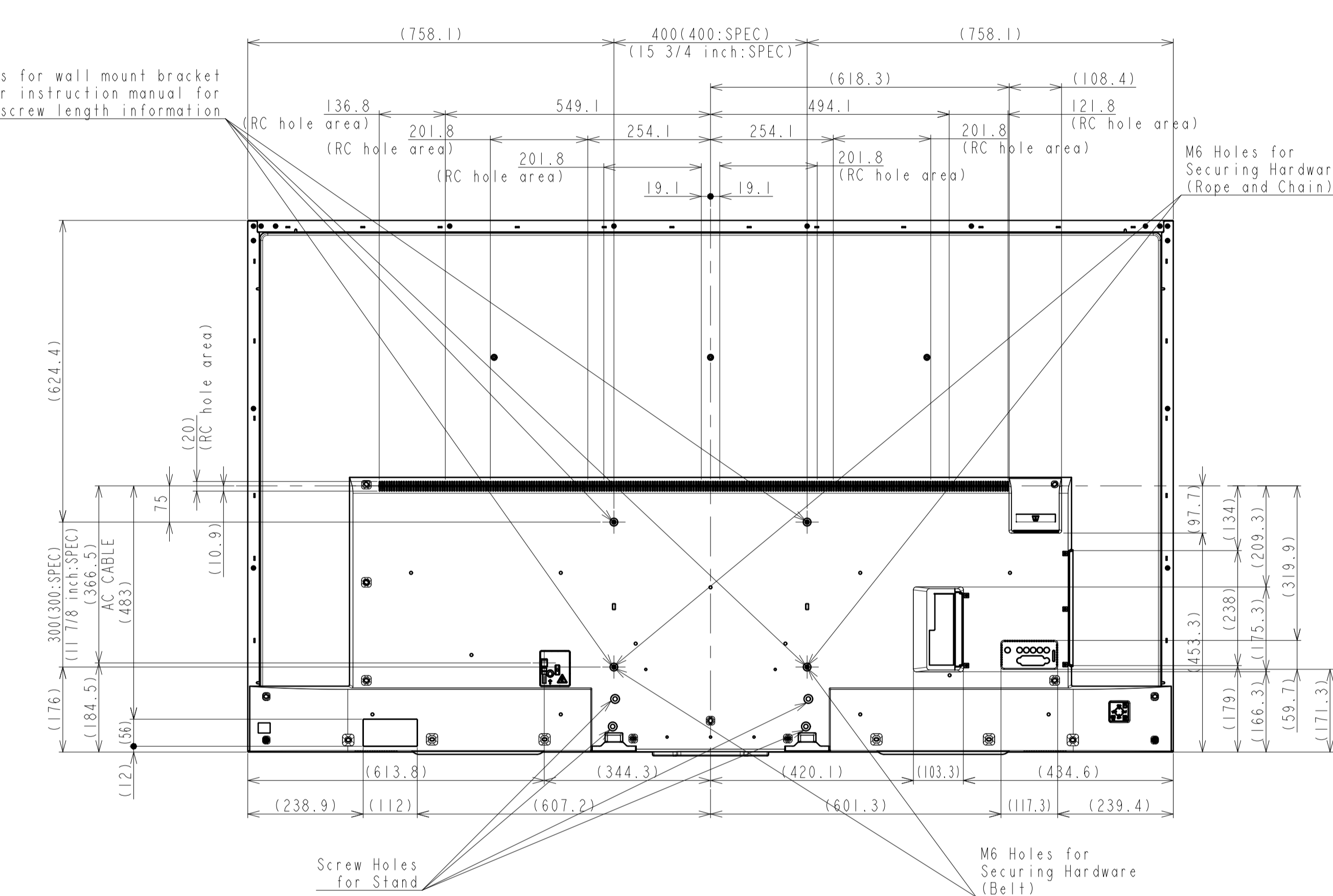


WITH WALL MOUNT BRACKET (SU-WL500)



110.9 (4 3/8 inch:SPEC)

M6 Holes for wall mount bracket
* Refer instruction manual for screw length information



Screw Holes for Stand

M6 Holes for Securing Hardware (Belt)

DESCRIPTION (EJ) 85(X8500D) EXTEIOR VIEW	QUAL. OWNER SONY VISUAL PRODUCTS INC.	SCALE 1:8
DESCRIPTION (EJ) 85(X8500D) EXTEIOR VIEW	TENTATIVE PART NO.	SHEET/PAGES 2 / 2
PART NO.	PART NO.	